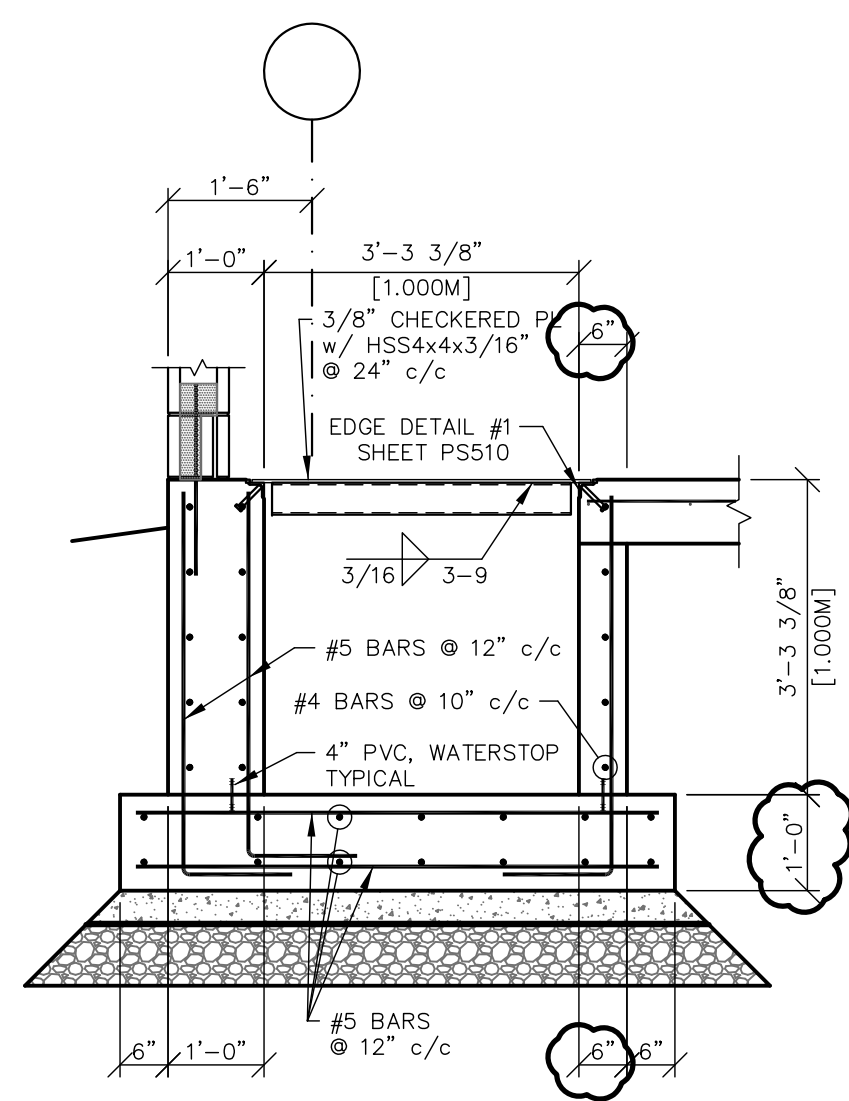
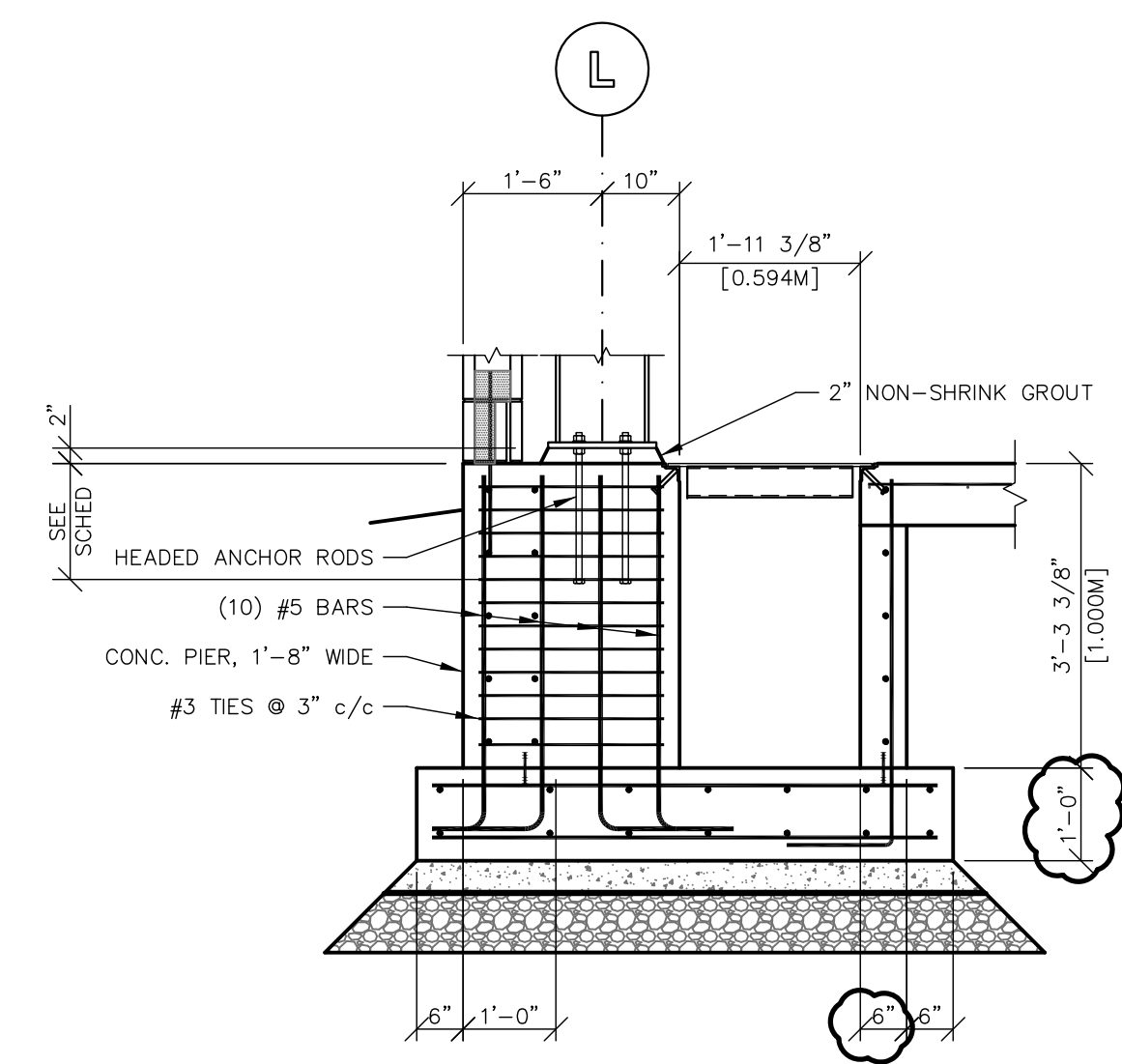


1 SECTION
PS515 PANEL ROOMS

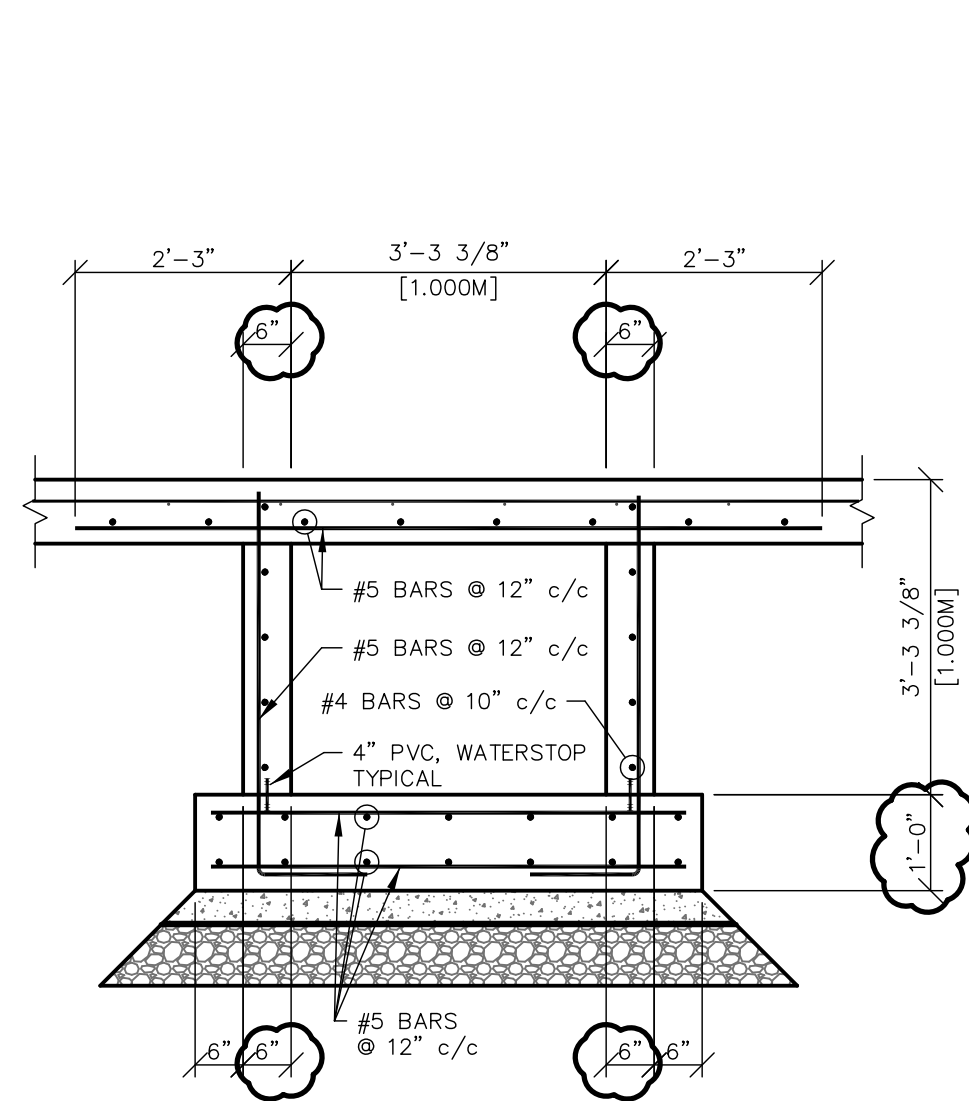
2 SECTION
PS515 PANEL ROOMS



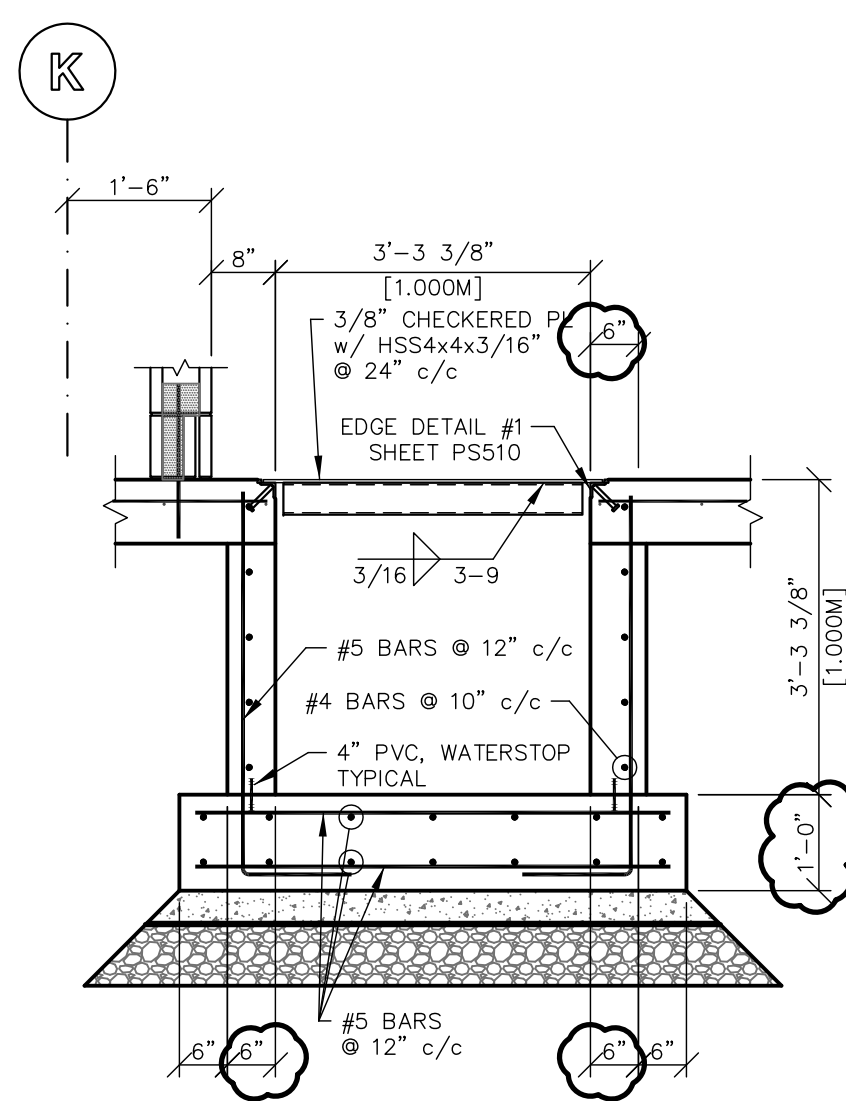
3 SECTION
PS515 WINDER PANEL ROOM



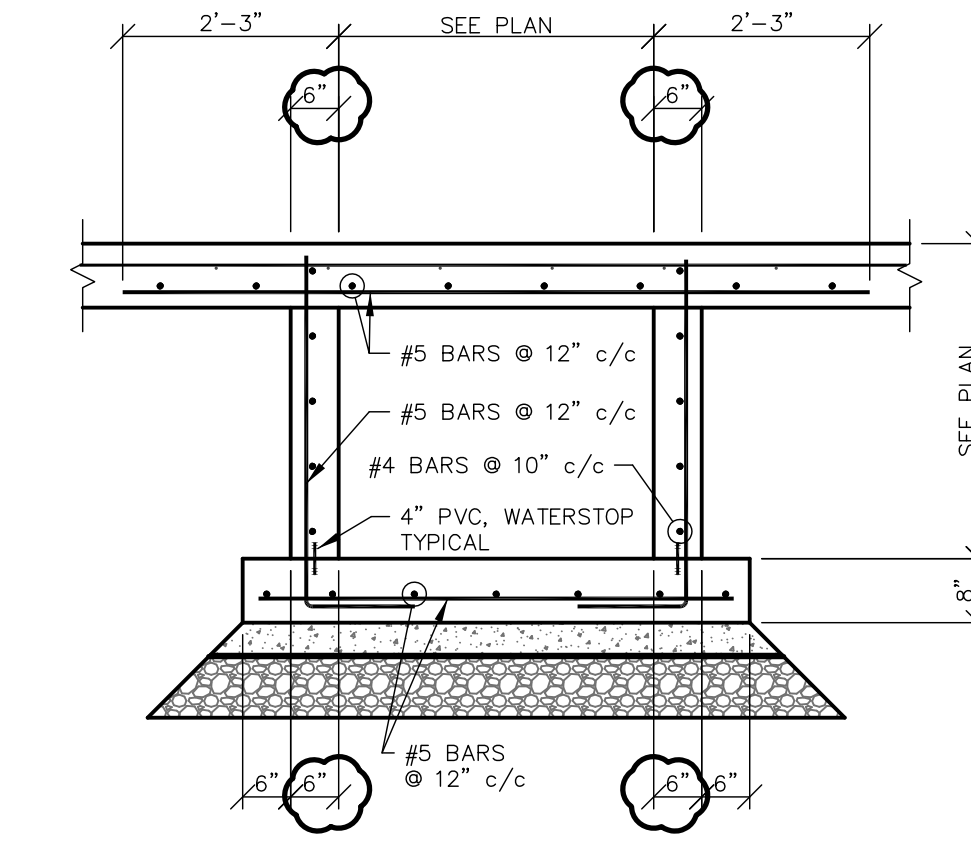
4 SECTION
PS515 WINDER PANEL ROOM



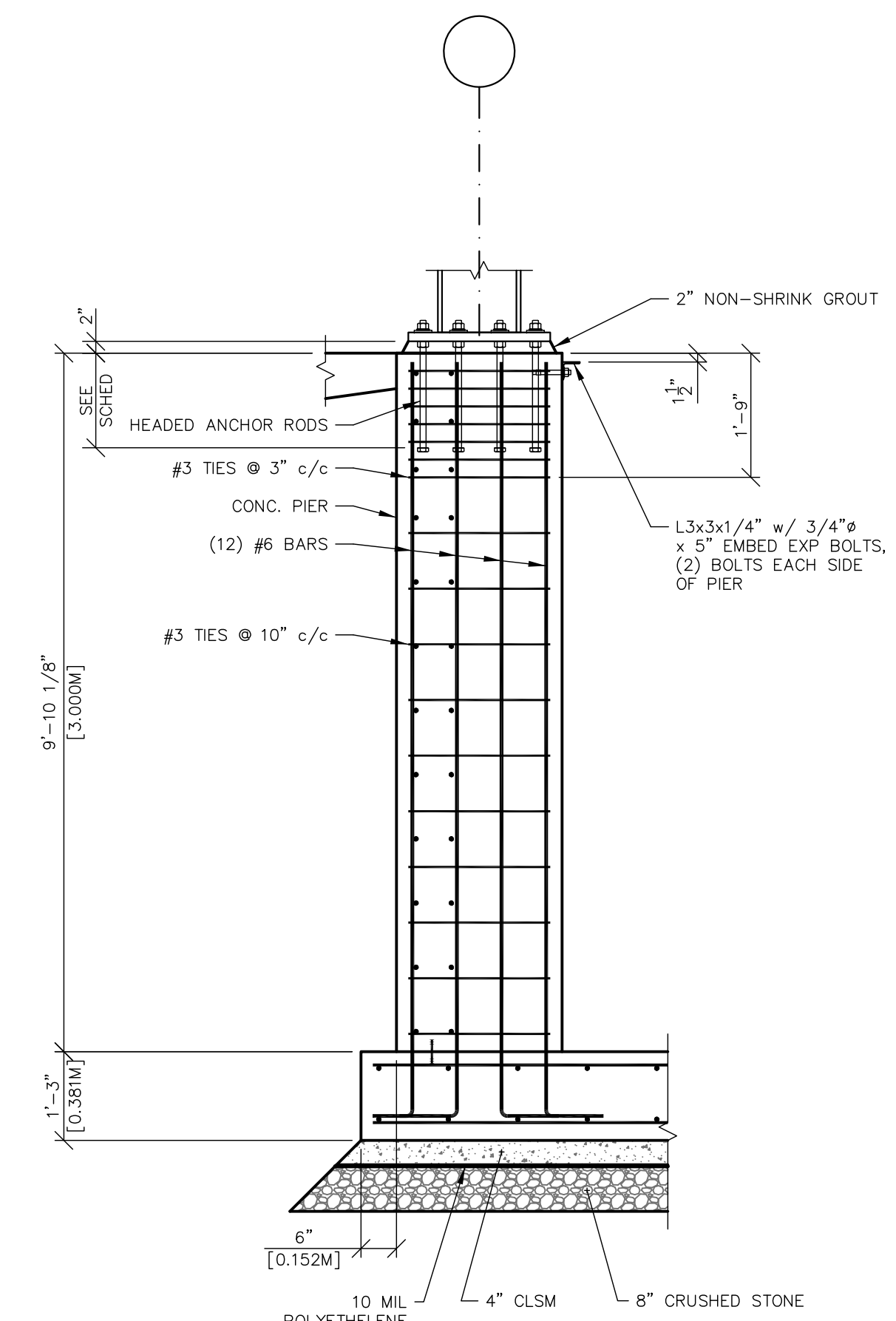
5 SECTION
PS515 WINDER PANEL ROOM



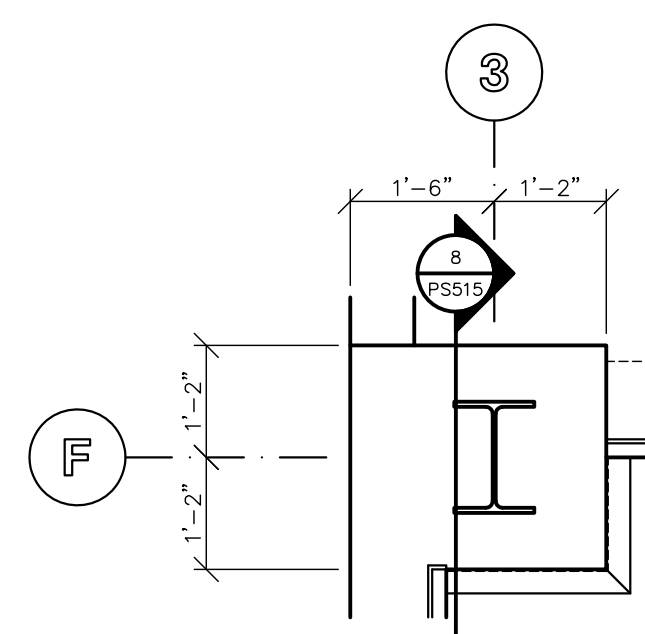
6 SECTION
PS515 WINDER PANEL ROOM



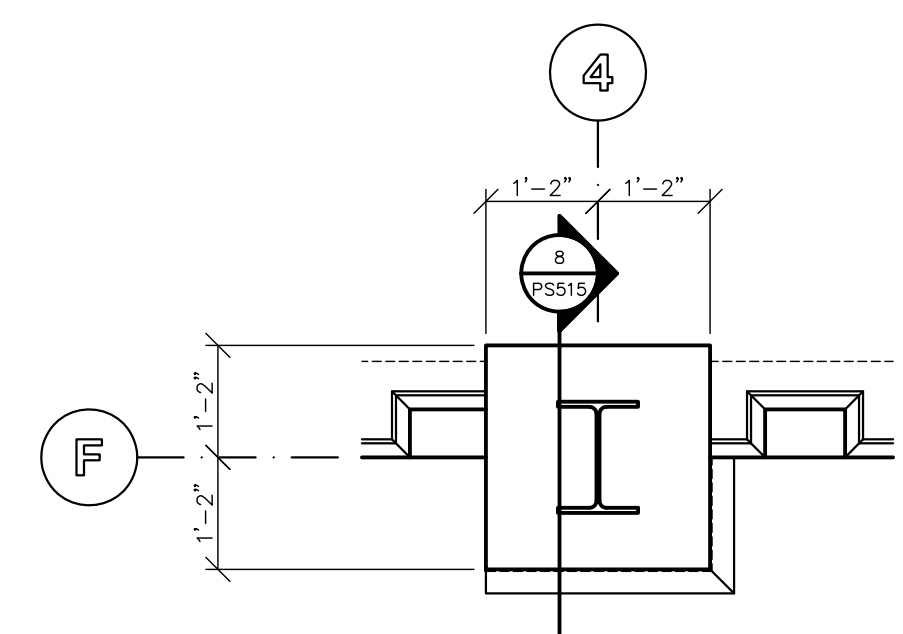
7 SECTION
PS515 WINDER PANEL ROOM



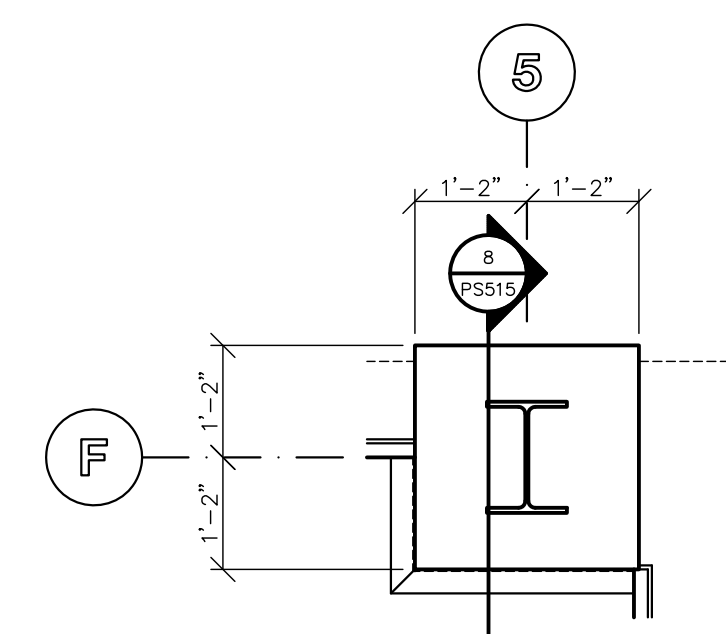
8 SECTION
PS515 RMS PIT



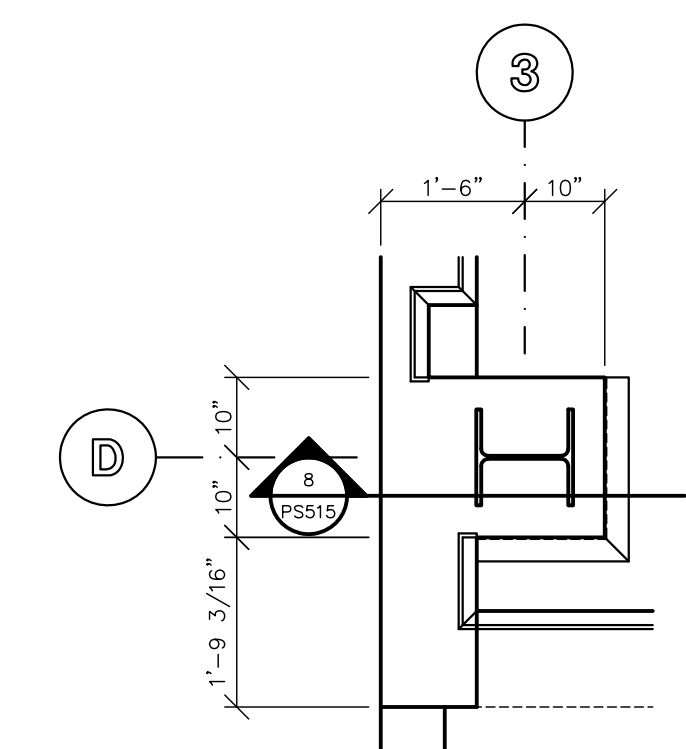
A SECTION
PS515 RMS PIT



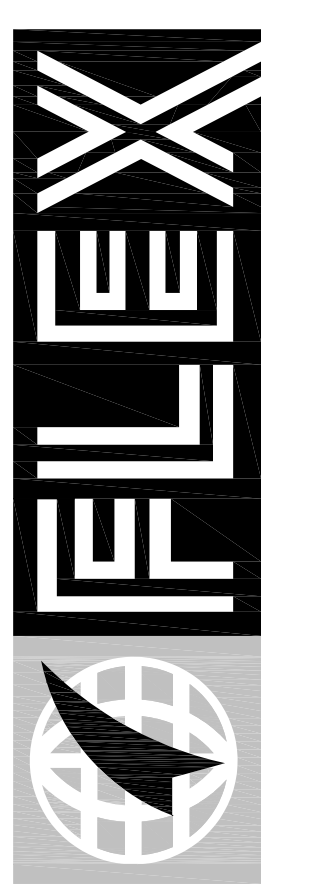
B SECTION
PS515 RMS PIT



C SECTION
PS515 RMS PIT



D SECTION
PS515 RMS PIT



FLEX FILMS (USA) INC.
1221 NORTH BLACK BRANCH ROAD
ELIZABETHTOWN, KENTUCKY 42702
PROJECT L-12 BOPET U.S.A.

DATE	REVISION
10-21-11	REVISION NUMBER ONE
11-15-11	REVISION NUMBER TWO

PROJECT NO. 8529-02
DESIGNED BY EFH
DRAWN BY GPT EFH
CHECKED BY FH
REVIEWED BY
DATE JULY 2011
SCALE AS NOTED

nse
OF KENTUCKY, INC.
Engineers
Architects
Planners
624 Wellington Way
Lexington, KY 40503
Phone: (606) 223-5694
Fax: (606) 223-5697
www.nseinc.com

DRAWING NO.
UFL-L12
PS-515

EQUIPMENT FOUNDATION SECTIONS